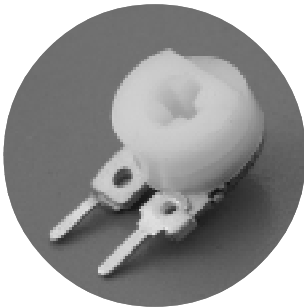


Phenolic Carbon film

Semifixed Variable Resistors

PC 8 Series



Feature:

1. Low cost.
2. Bakelite base carbon film.
3. With dust-proof knob can be attached

Application:

1. Consumer product such as television receivers, radio receivers
2. Telephone, telephone answering machine, interphone.
3. Computer monitor, switching power
4. Equipments & Instruments

Electrical Characteristics:

1. Resistance value & Tolerance:
100 ohm-1M ohm \pm 25%/30%
2. Taper:B (Linear)
3. Max power rating:0.1w (at 70°C)
4. Max working valtage: 100v
5. Silding noise: 150mv under
6. Residual resistance: < 1% or 20 Ω max

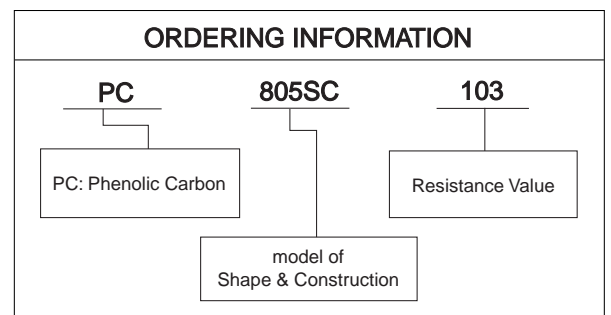
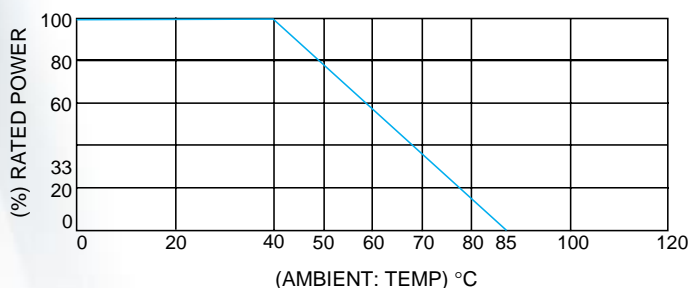
Mechanical characteristical:

1. Outline & drawing: as drawings
2. Rotation angle:230 \pm 10°
3. Rotation torque:50-350 gf-cm
4. Stopper strength:> 1 Kgf-cm

Reliability specification:

1. Operation life:Resistance value \pm 30%
2. Temperature characteristic: \pm 15%@70°C 5HR
3. Temperature Coefficient: 1500ppm/°C
4. Humidity characteristic:15%
resistance change max. after 5 hours in 95% RH. at 40°C
5. Resistance to soldering heat:
260°C 3 sec without any poor contact

Derating Curve:

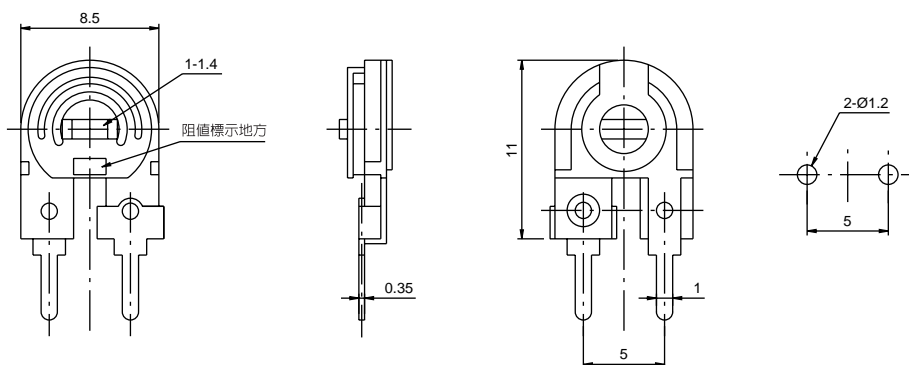




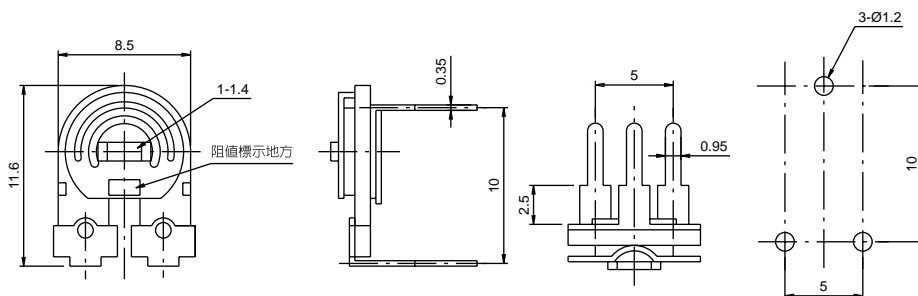
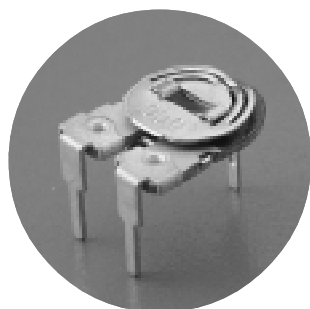
Phenolic Carbon film

Semifixed Variable Resistors

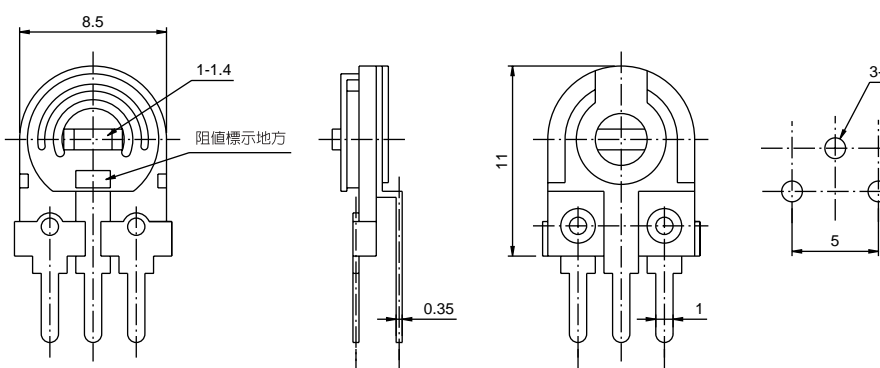
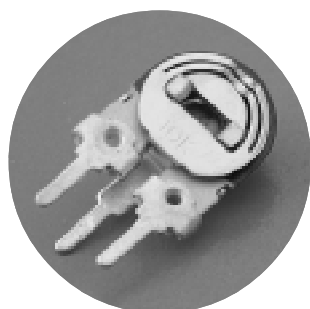
PC 85M



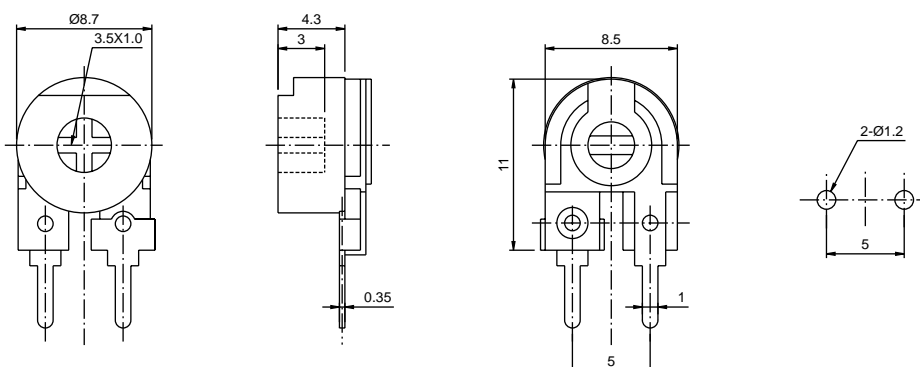
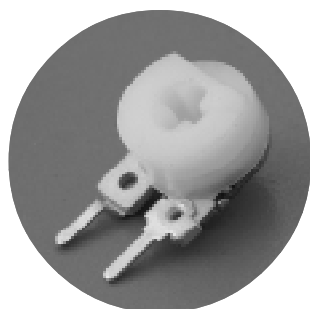
PC 805M



PC 825M



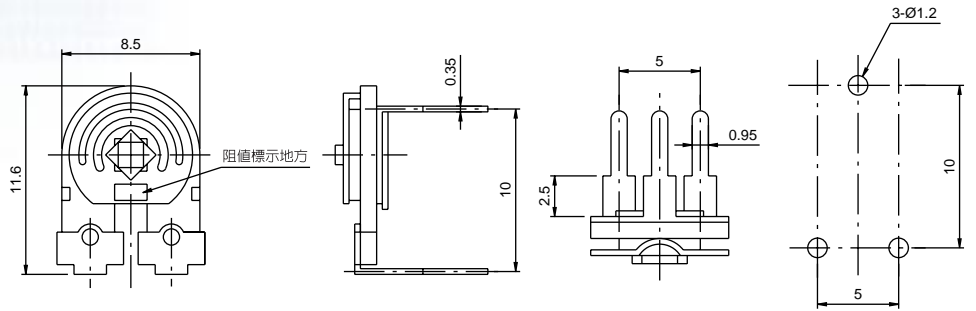
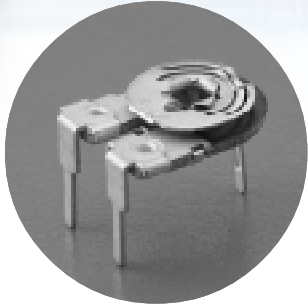
PC 85SC



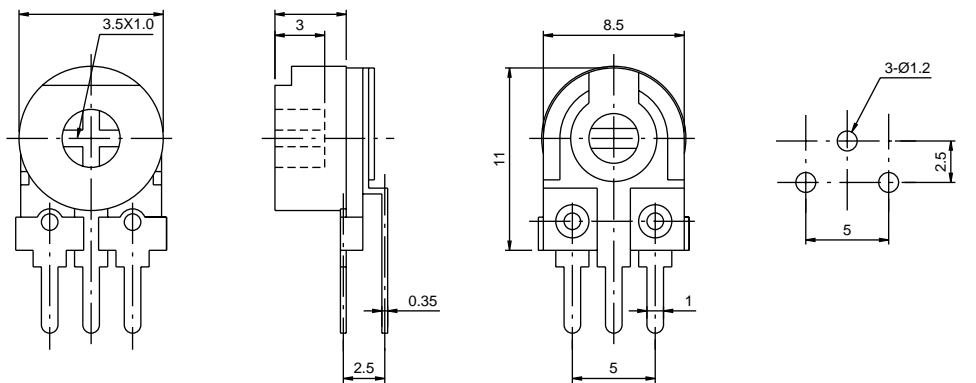
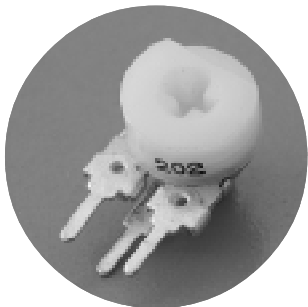
Phenolic Carbon Film

Semifixed Variable Resistors

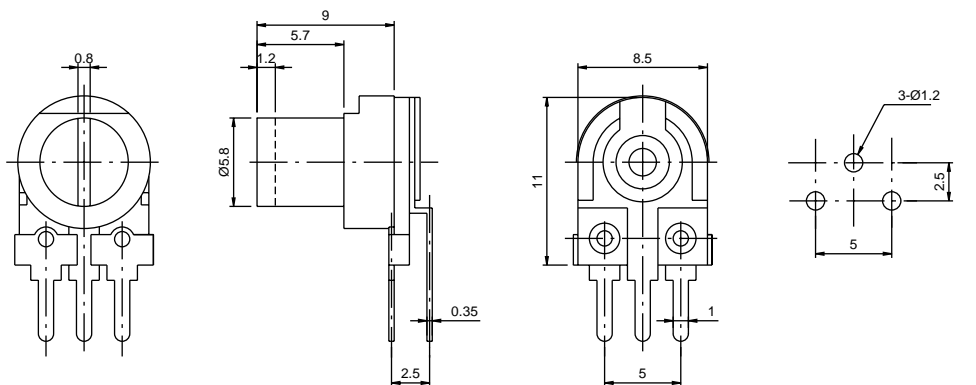
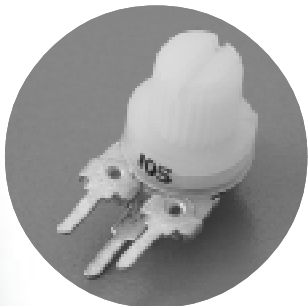
PC 805S



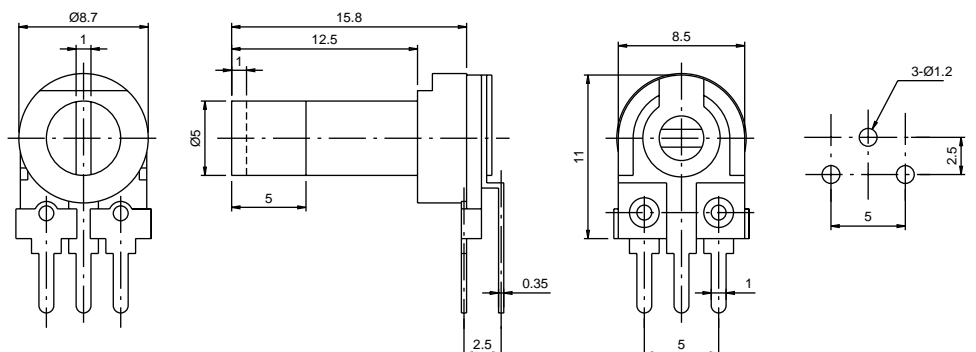
PC 825SC



PC 825SH



PC 825SX

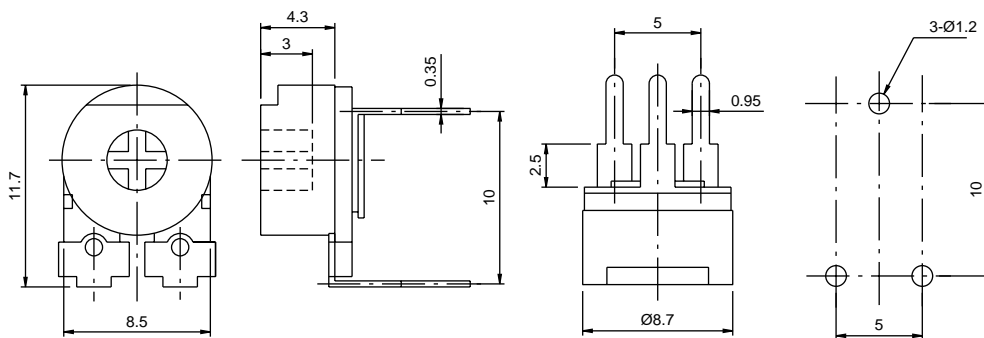




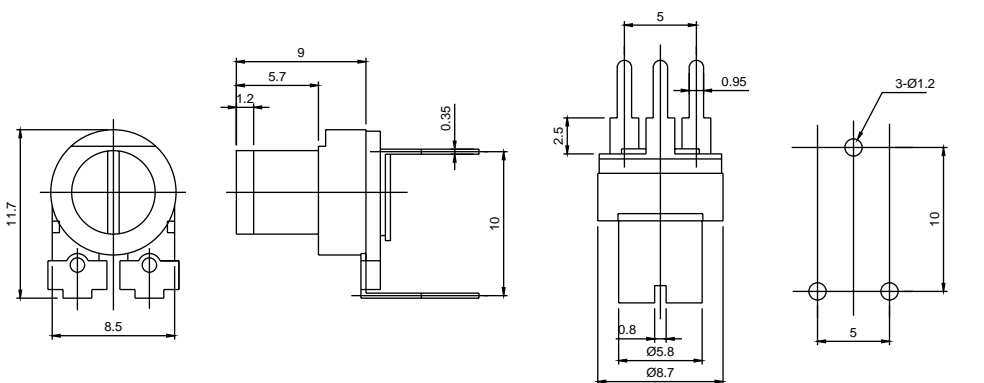
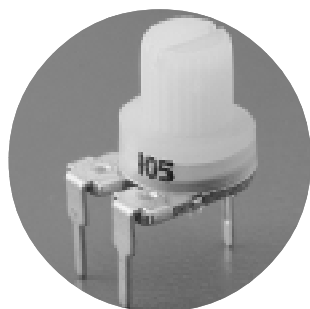
Phenolic Carbon Film

Semifixed Variable Resistors

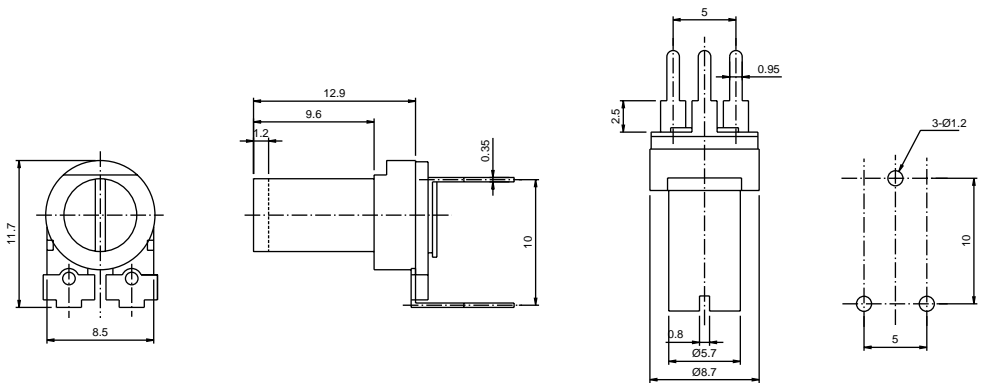
PC 805SC



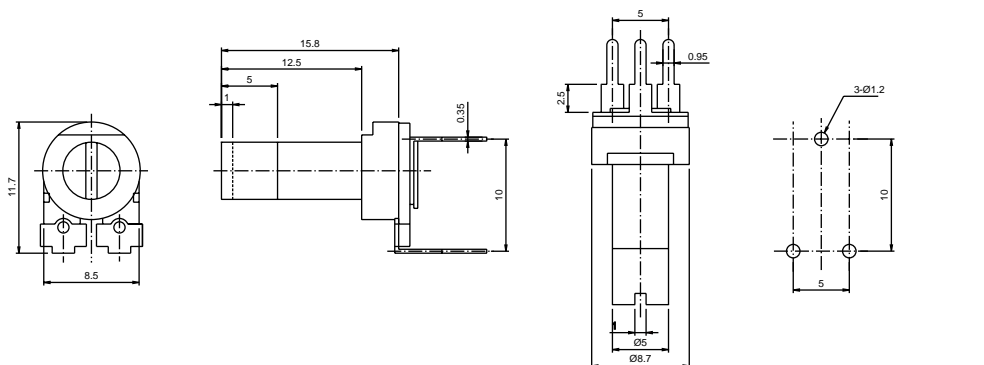
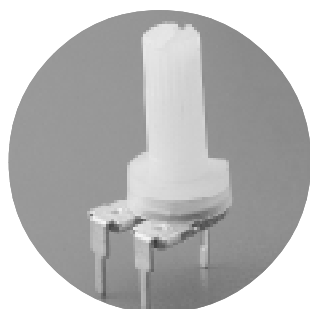
PC 805SH



PC 805SP

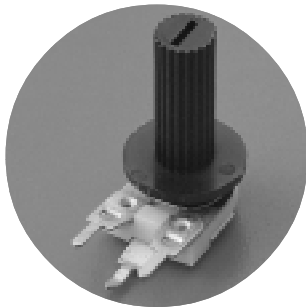


PC 805SX



Phenolic Carbon film

Semifixed Variable Resistors



PC 10 \emptyset Series

Feature:

1. Low cost.
2. Bakelite base carbon film.
3. With dust-proof knob be attached.

Application

1. Consumer product such as television receivers, radio receivers.
2. Telephone, telephone answering machine, interphone.
3. Computer monitor, switching power.
4. Equipments & Instruments.

Electrical characteristics:

1. Resistance value & Tolerance:
100 ohm-2.2M ohm $\pm 25\%$
2. Taper: B (Linear)
3. Max power rating: 0.15w (at 70°C)
4. Max working valtage: 200v
5. Silding noise: 150mv under.
6. Residual resistance: < 5%

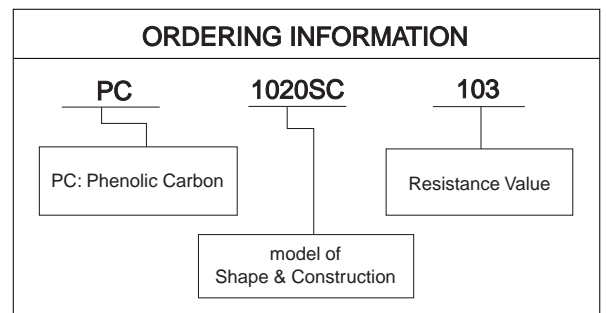
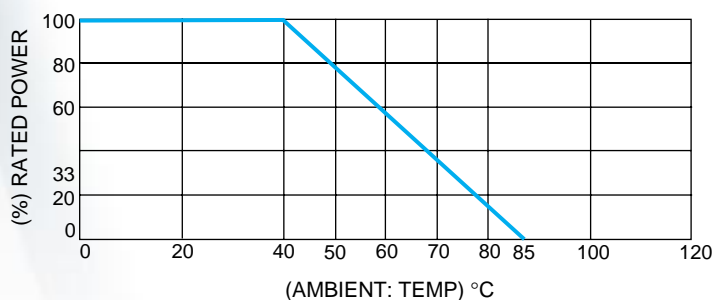
Mechanical characteristical:

1. Outline & drawing: as drawings.
2. Rotation angle: 265°C $\pm 15^\circ$ C
3. Rotation torque: 50-300 gf-cm
4. Stopper strength: > 0.8 Kgf-cm

Reliability specification:

1. Operation life: Resistance value $\pm 25\%$
2. Temperature characteristic: $+^5_8\%$ @ 70°C 5HR
3. Temperature coefficient: 1500ppm/°C
4. Humidity characteristic: 15%
resistance change max, after 5 hours in 95% Rh. at 40°C
5. Resistance to soldering heat:
260°C 3 sec. without any poor contact.

Derating Curve:

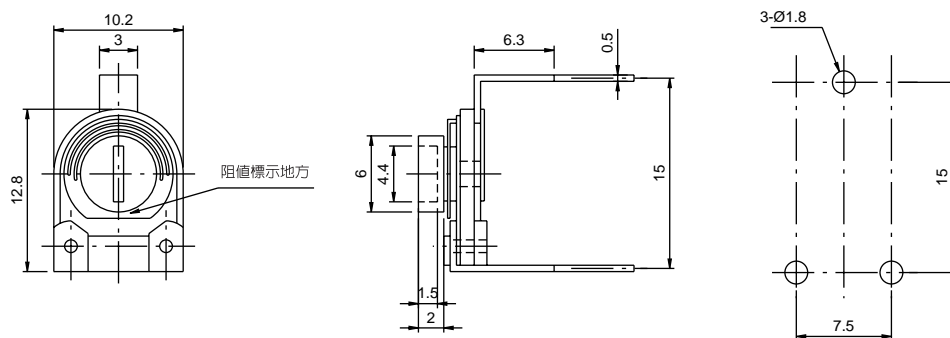




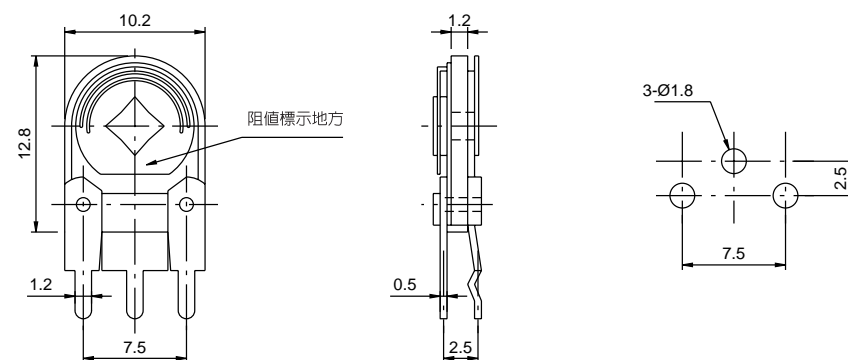
Phenolic Carbon film

Semifixed Variable Resistors

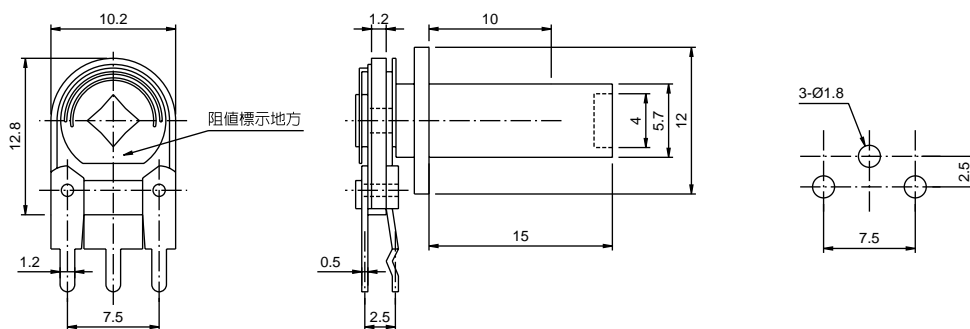
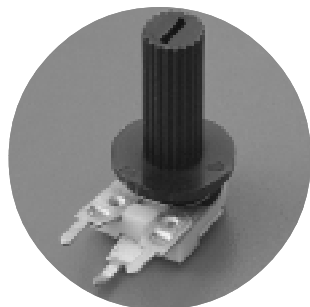
PC 1075SC



PC 1027S



PC 1027SX



PC 1020SH

