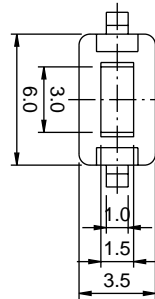
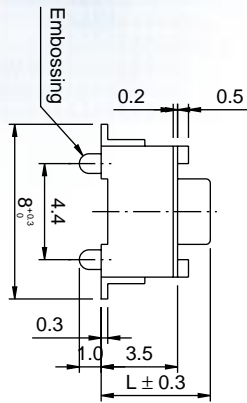


TACT Switch Series

TS 6301E

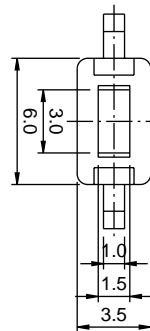
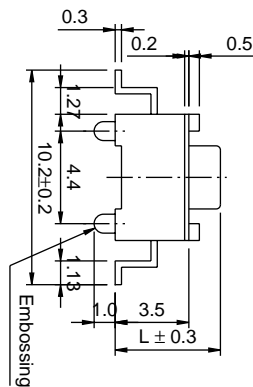
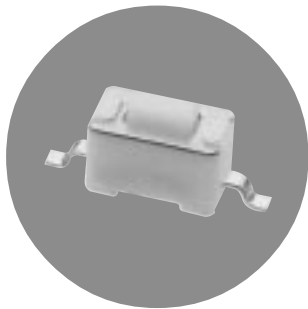
unit:mm



Model No.	Knob (L)	Embossing
TS 6301E	4.3mm	with
TS 6301EA	5.0mm	with
TS 6301NE	4.3mm	without
TS 6301NEA	5.0mm	without

TS 6301S

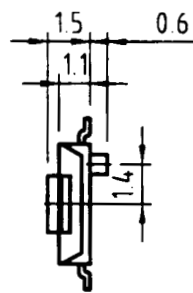
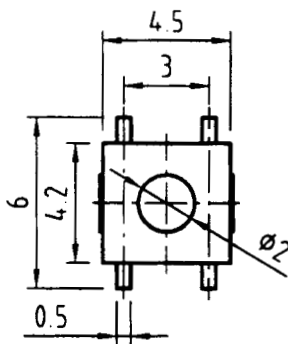
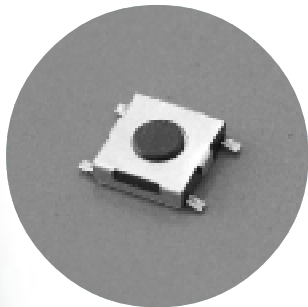
unit:mm



Model No.	Knob (L)	Embossing
TS6301S	4.3mm	with
TS 6301SA	5.0mm	with
TS 6301NSA	5.0mm	without
6301NS	4.3mm	without

TS 4417

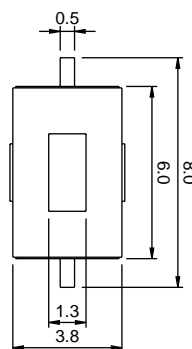
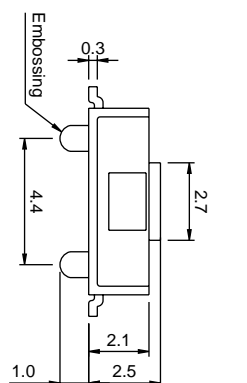
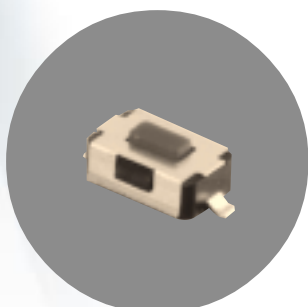
unit:mm



Model No.	Knob (L)
TS 4417	1.5mm
TS 4417A	4.3mm

TS 6427

unit:mm

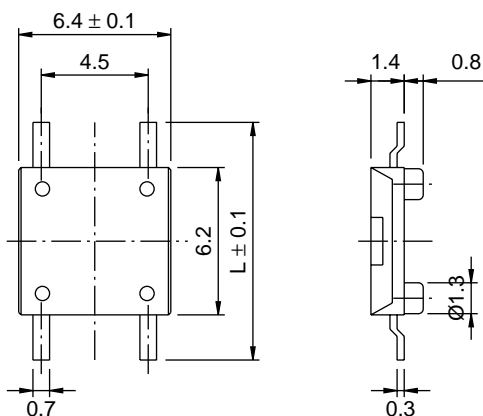
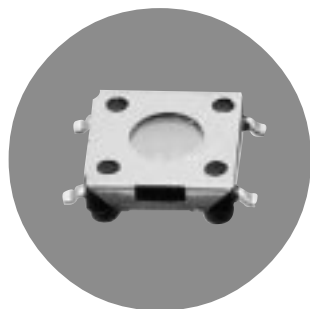


Model No.	Knob (L)	Embossing
TS 6427	2.5mm	with
TS 6427A	2.5mm	without



TACT Switch Series

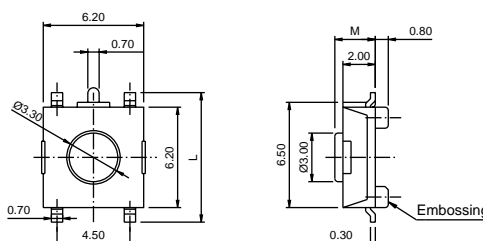
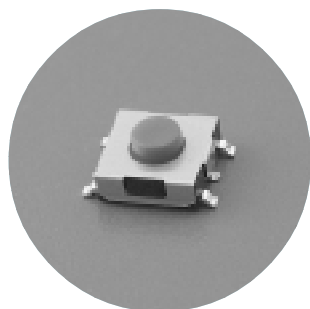
TS 6617



unit:mm

Model No.	Knob (L)
TS 6617	8.0mm
TS 6617A	10.0mm

TS 6627

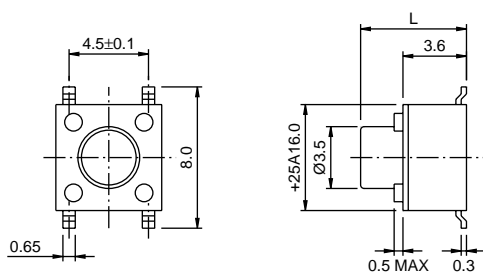
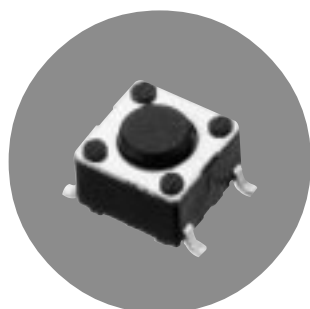


unit:mm

TS 6627-ASNP

Item	With	Without
Ter Length(L)	A: 8.0mm	B: 10mm
Stem Height(M)	S: 2.5mm	H: 3.1mm
Embossing	E	N
Ground cover	P	D

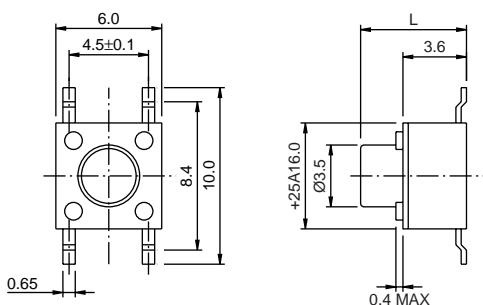
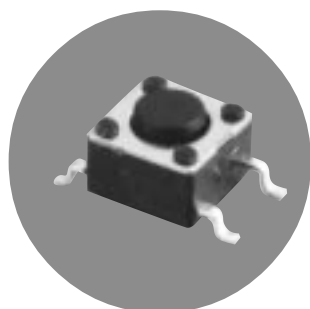
TS 6647N



unit:mm

Model No.	Knob (L)
TS 6647N	4.3mm
TS 6647NA	5.0mm
TS 6647NB	7.0mm
TS 6647NC	8.0mm
TS 6647ND	9.5mm

TS 6647S



unit:mm

Model No.	Knob (L)
TS 6647S	4.3mm
TS 6647SA	5.0mm
TS 6647SB	7.0mm
TS 6647SC	8.0mm
TS 6647SD	9.5mm